

LUXOR120 6-LED LIGHT BAR

4420-LUX-120V65K-24/18/12W-6LED



LUXOR120 LED Light Bars take your graphics and lightboxes to the next level! LUXOR120 gives you the option to select 3 light intensities, daisy chain up to 30 6 LED LUXOR120s (covering over 55 linear feet) and no external or internal power supplies required. With 50+% more light output compared to conventional low voltage models, you can illuminate any size light box; from 12'X12' down to 3'X3'. You will save on labor installation and cost. LUXOR120s do not having the wiring limitations that similar low voltage options have. Illuminating lightboxes has never been better with LUXOR120 LED Light Bars!



SPECIFICATIONS

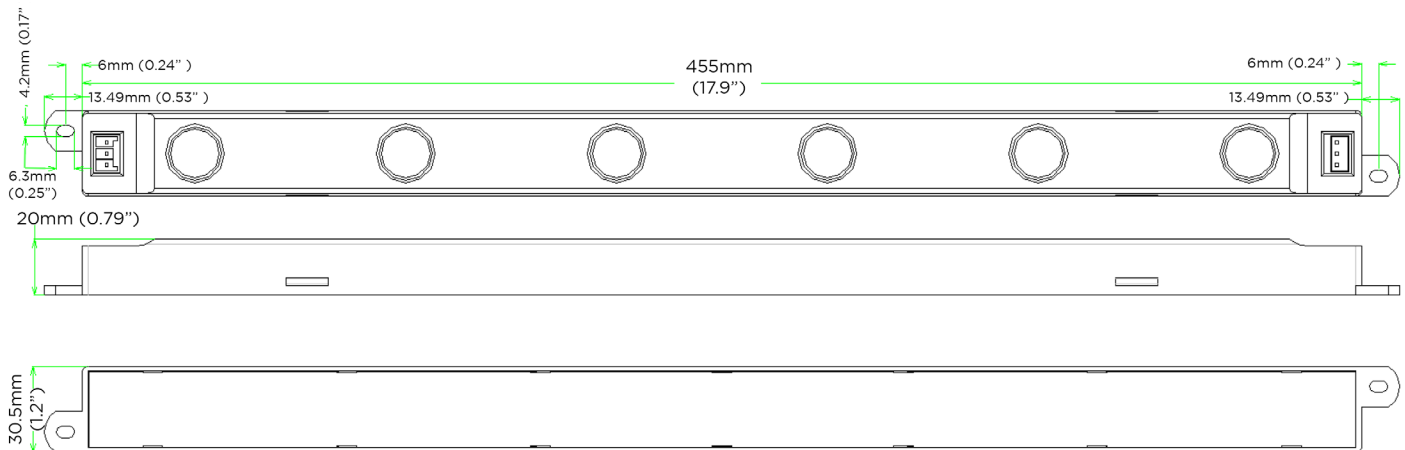
Product Number	4420-LUX-120V65K-24/18/12W-6LED
Voltage	120VDC
LED Quantity	6 LEDs
Color Temperature	6500K
CRI	80
Intensity Adjustable Switch	100%, 75% 50%
Wattage Power	100% Power - 24W +/- 10% 75% Power - 18W +/- 10% 50% Power - 12W +/- 10%
Luminous Flux	Max 2400 Lm ±tolerance 10%
Lens Angle	10*70 Angle
AC Input	120Vac/60Hz, Max 24Watt
AC IN 120V	Operate of AC Max current 0.21A
AC Input Socket	Male (2 Pin), 120Vac , 2PIN, MAX 7A
AC Output Socket	Female (2 Pin), 120Vac , 2PIN,MAX 7A
Linkability	30PCS Max
Case Material	Plastic
IP Rating	IP20
LED Module Dimensions	455mm (17.9")W x 23mm (0.9")H x 15 (0.6")D
Case Dimensions	482mm (19")W x 30.5mm (1.2")H x 20 (0.8")D
Operation Temperature	86°F (30°C)
AC Cord	UL 1-15P PLUG, 2PIN, 125V/10A
Cable Length	3 Meter, AWG18/ SVT, Female 2 hole, (option)
Certification	cTUVus (UL Compliant)
Rated Life	50,000 Hours
Warranty	3 Years

LUXOR120 6-LED LIGHT BAR

4420-LUX-120V65K-24/18/12W-6LED



DIMENSIONS



ACCESSORIES

8ft Power Cord



Jumper Cable



Extension Cables

Available in 3ft, 6ft or 10ft lengths

