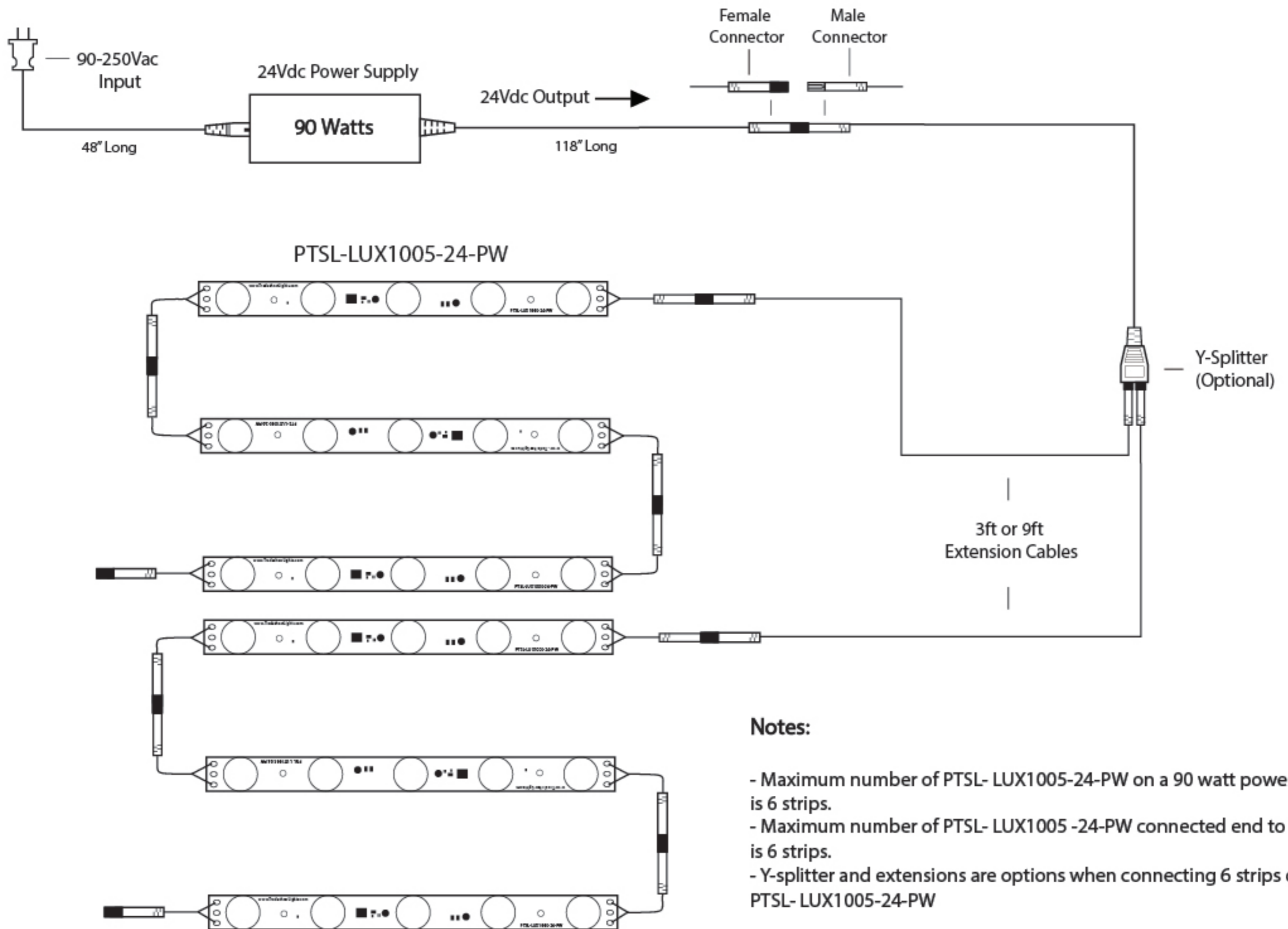


# PTSL-LUX-1005-24-PW



### Notes:

- Maximum number of PTSL- LUX1005-24-PW on a 90 watt power supply is 6 strips.
- Maximum number of PTSL- LUX1005 -24-PW connected end to end is 6 strips.
- Y-splitter and extensions are options when connecting 6 strips of the PTSL- LUX1005-24-PW