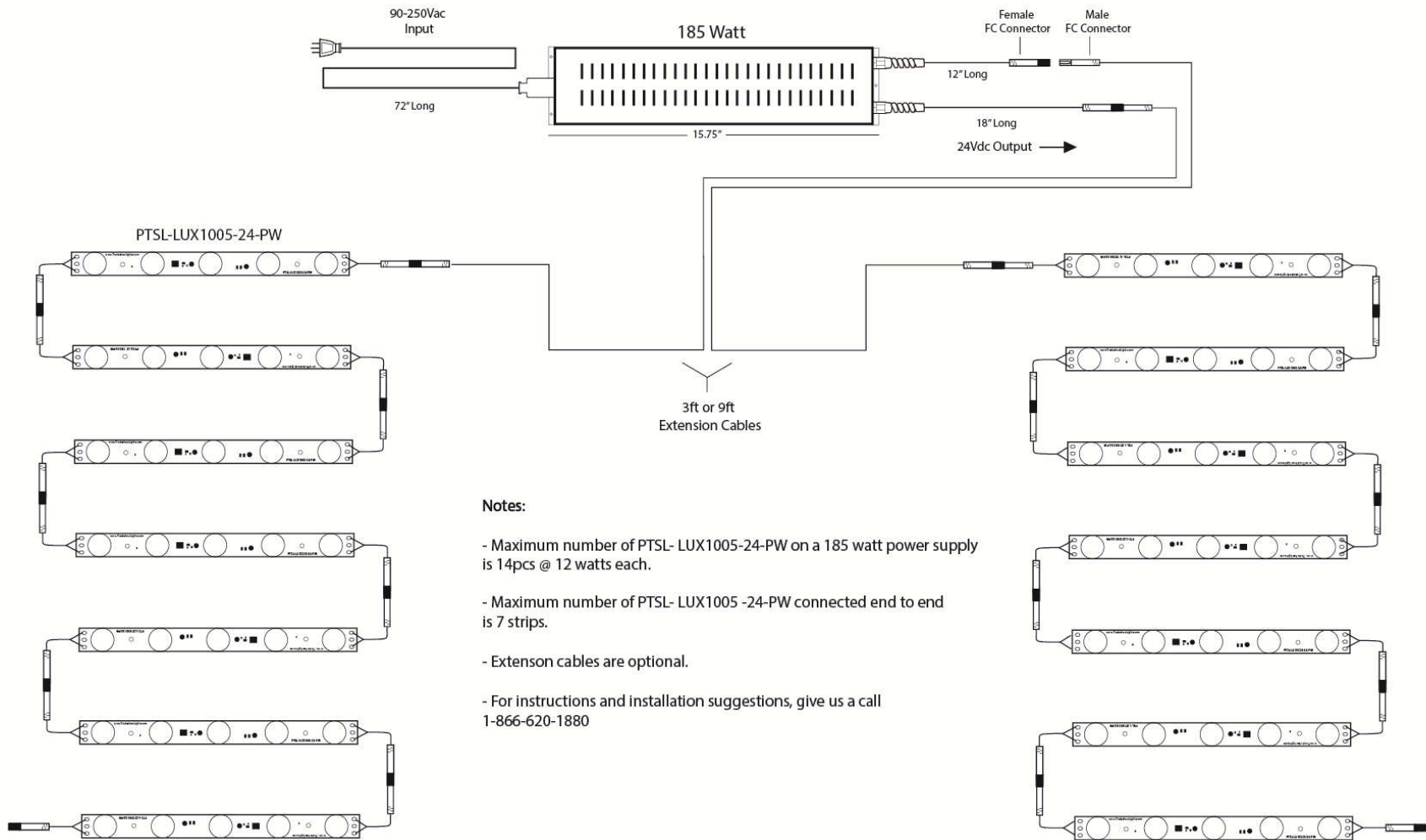


PTSL-LUX-1005-24-PW



Notes:

- Maximum number of PTSL- LUX1005-24-PW on a 185 watt power supply is 14pcs @ 12 watts each.
- Maximum number of PTSL- LUX1005 -24-PW connected end to end is 7 strips.
- Extension cables are optional.
- For instructions and installation suggestions, give us a call 1-866-620-1880