

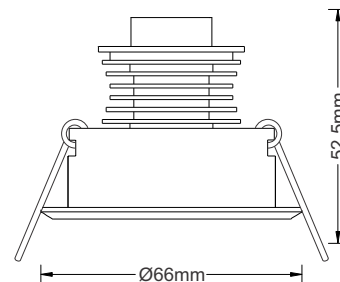
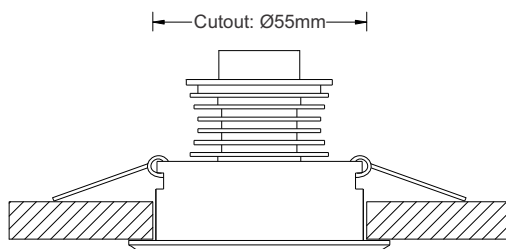
LED Recessed Light

MODEL: PLG-M5x1W-24V

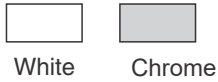


Features

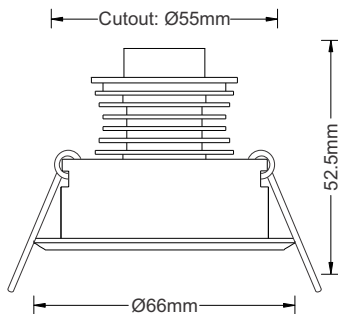
- Input 24V DC
- 5pcs 1W high power LED
- Ra80 CRI
- Recessed mounted
- White or Chrome finish
- Beam angle 45°
- Tilttable 25°
- PWM dimmable
- Uniform luminance
- Easy Connect FC In/Out system
- 5ft FC Male/Female Extension Cable Included



Finish Color



Mechanical



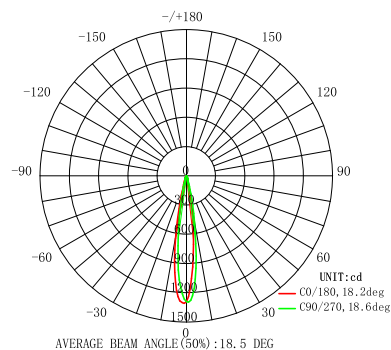
Specifications

Color Temperature(CCT)	3000K / 5000K
Power Consumption(W)	5W
Input Voltage	24V DC
Light Source	1W high power LED
Lumen	450lm (90lm/W)
CRI (Ra)	80
Beam Angle	45°
Material	Pure aluminum
Fixture Color	White / Chrome
IP Grade	IP 21
Environment	Indoor use
Operation Temperature	Max Ta=45°C
Dimming	PWM dimmable
Tiltable	25°
Lifespan	50,000hrs
Connection	FC In/Out System
Cable	5Ft Extension Cable
Certification	cTUVus, CE, RoHS
Warranty	5 years

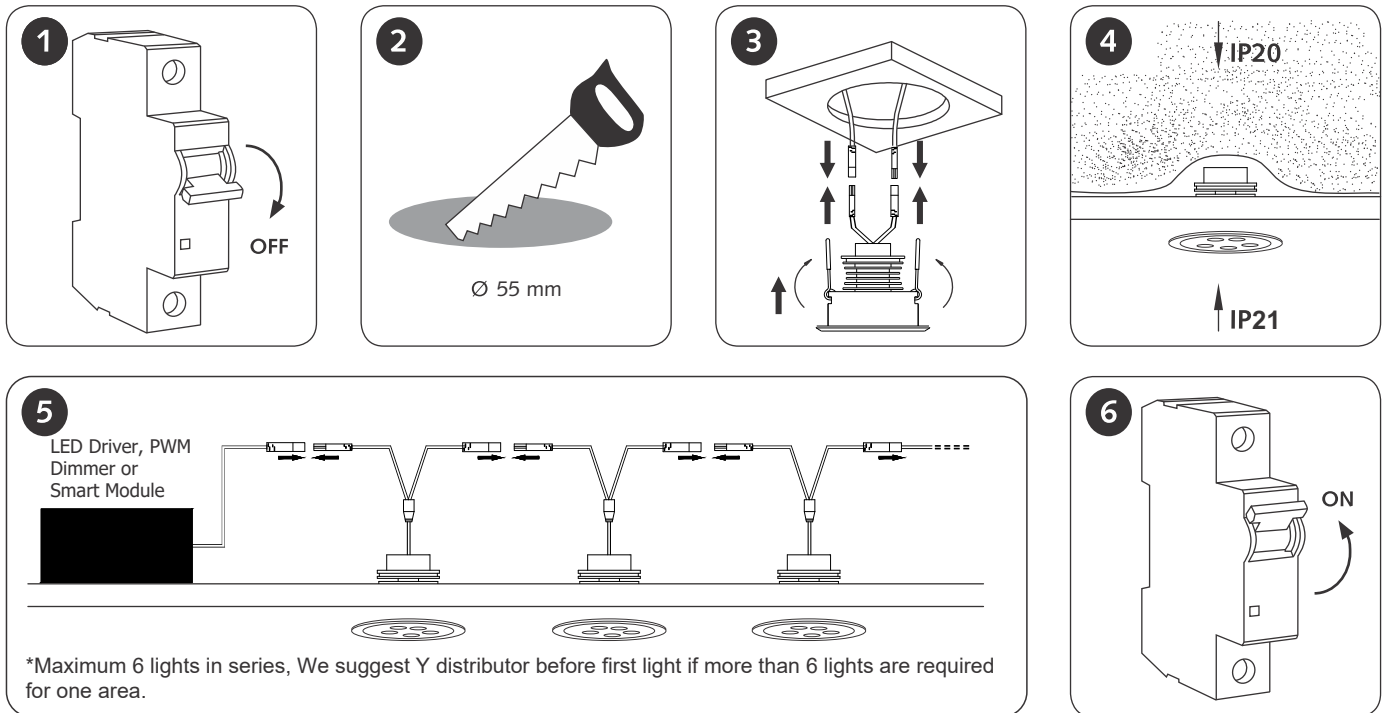


Goniophotometers System Test Report

20°	H(m)	Lux	Ø(cm)
	1	1965	28.66
	2	491.1	57.33
	3	218.25	85.99
	4	122.79	114.65
	5	78.59	143.32



Installation



Caution

- This product must be installed by a qualified electrician and in accordance with the appropriate wiring rules and regulations. Ensure that all electrical supplies are isolated at the switchboard before installation or maintenance of these fittings takes place.
- Never plug the driver to AC outlet before the LED Downlight is properly connected, otherwise it may damage the LEDs permanently.
- Locate the driver in a well ventilated area free from any insulating material and as far away from the nearest lamp as possible - failure to do so may cause the driver to overheat and shut off.
- It is recommended that 20cm of open space be provided around the driver and 7.5cm around lamp housing to permit air circulation. No loose material should be left within this clearance area.
- DO NOT install the LED Driver above the Luminaire
- Always wear and use protective gloves, eye wear, head wear, foot wear, clothing and other relevant safety wear/equipment when handling/installing LED Downlight kit.
- Do not install or operate LED Downlight kit into a completely sealed fixture. LED Downlight kit should only be installed in an area that has clear cold air flow.
- Do not install or operate LED Downlight kit in an environment that has humidity levels above 70%.
- LED Downlight kit should be isolated from high energy surges that can be created from switching of large inductive loads or lightning strikes. It is recommended that a suitable surge arrester/protector be fitted to circuits to ensure protection of the LED Downlight kit.
- DO NOT COVER the LED Downlight kit with any material, this includes all types of insulation materials.

Application

- Display cases
- Trade Show Exhibits
- Museum Environments
- Jewelry cabinets
- Office
- Residential
- Commercial



Warranty

Prism Lighting Group Warrants to its customers who purchase its LED fixtures that the products are free from defects in material and workmanship from the date of shipment. During warranty period, Prism Lighting Group, at their discretion, agrees and shall be obligated to a limit of refund of the purchase price of the products or replacement of fixtures.

This limited warranty will not apply to loss or damage to the product caused by: damage due to fire or acts of God; vandalism; civil disturbances; accident; failure to follow installation, operating or maintenance. This limited warranty excludes field labor and service charges related to the repair or replacement of the Product.

Complete warranty details for fixtures are available. Please contact us at 1-866-620-1380, info@prismlightinggroup.com or visit www.prismlightinggroup.com.