

# MT48 VERTICAL LED 2-HEAD LIGHT STAND



## PRODUCT SUMMARY

The MT48V LED Light Stand offers amazing bright light from a single location. The sturdy, free-standing, telescopic light stand offers tremendous lighting flexibility with easy mobility and takes less than 2 minutes to assemble. Two state-of-the-art 24 Watt LED fixtures generate a pure white light (5000k) equal to 440+ Watts halogen, mounted on a vertical center bar are individually adjustable with 140 degrees tilt and almost 360 degrees rotation

The 2-head Vertical light bar fits onto a telescopic support pole that is height adjustable from 4 ft. to 8 ft. high. The Telescopic Support Pole has a concealed retractable power cord for ease of adjustability. The MT48 Light Stand is stable using a heavy duty powder coated metal base. The MT48V provides lighting greater than 400 watts of halogen but is significantly cooler, safer and uses a fraction of energy typically needed for such a pure bright white light.

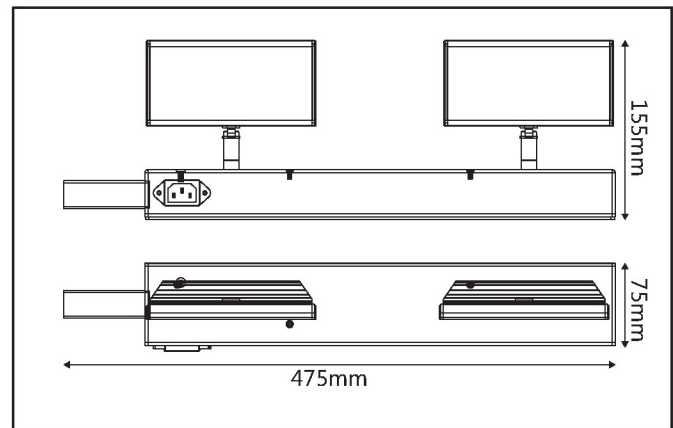
Copied by many, but none can compare with quality and performance, as Prism's MT48 Vertical Light Stand is the "Real McCoy" of LED Light Stands.

MT48V LED Light Stand, another Signature Series LED lighting product designed, engineered and built by Prism Lighting Group™.



## FEATURES

- Cast metal fixture head
- Powder coated chrome silver finish
- Total of 3600 Luminaries
- Color temperature of 4500K +-5%
- 2-24W LED fixtures attach to metal T-box, with inlet plug inserted into T-box
- Pole is telescopic with range of 4' to 8'
- Pole is aluminum with 3 sections and 2 clamps
- Pole screws into 12" steel base
- Base is laser cut and powder coated for durable finish
- Notch in base allows light stand to fit around drape pole at front of booth
- Lamps are included
- Light stand has three pieces - pole, light head and base
- Very easy to transport
- Pole shipped in rigid cardboard tube
- LED light head and base shipped in 20"x12"x6" box



## APPLICATIONS

Jewelry Shows, Booth Lighting, Rental Lighting